

Multi-Bay Battery Charger

Cordless Scanner Accessory

Honeywell's Multi-Bay Battery Charger can fully charge up to four lithium-ion batteries, 4.5 hours typical, maximizing uptime in any application. Its compact design is well-suited for environments with space-constrained areas.

The Multi-Bay Battery Charger features integrated keyholes that enable secure desktop or wall mounting. This easy-to-use device also features bright LEDs that display the status of each individual battery, visually letting users know when each battery is fully charged.

Lithium-ion batteries used in the following Honeywell cordless scanners can be charged with this device: 3820, 3820i, 4820, 4820i and 6320dpm.



Features

- **Fast Charge:** Fully charge up to four lithium-ion batteries typically within 4.5 hours
- **Compact Design:** Provides an 85% reduction in footprint over four charge-only bases
- **Bright Status LEDs:** Clearly displays the charging status of each slot
- **Affordable:** Saves users 41% over the cost of purchasing four charge-only bases
- **Intelligent Technology:** Provides accurate voltage regulation, battery charge temperature monitoring and charge cycle management to optimize battery performance
- **Multiple Mounting Options:** Integrated keyholes allow desktop or wall mounting
- **Energy Efficient:** Reduces the total cost of ownership by consuming 40% less energy than four charge-only bases

Multi-Bay Battery Charger Technical Specifications

Structural

Dimensions (LxWxH)	156.8 mm x 60.2 mm x 48.8 mm (6.2" x 2.4" x 1.9")
Weight	4.5 oz (128 g) without batteries
Material	Flammability rating of UL 94 V-2
Mounting	Integrated keyholes allow desktop or wall mounting (see diagram below)
Capacity	Supports up to four Honeywell battery packs (battery that is used in the following cordless hand-held scanners: 3820, 3820i, 4820, 4820i and 6320dpm)

Environmental

Operating Temperature	+41°F to +104°F (+5°C to +40°C)
Storage Temperature	-40°F to +158°F (-40°C to +70°C)
Electrical Static Discharge	Functional after 100 discharges @ 15kV for direct air discharge and 8kV for direct contact discharge
Relative Humidity	95% at 50°C humidity (non-condensing)

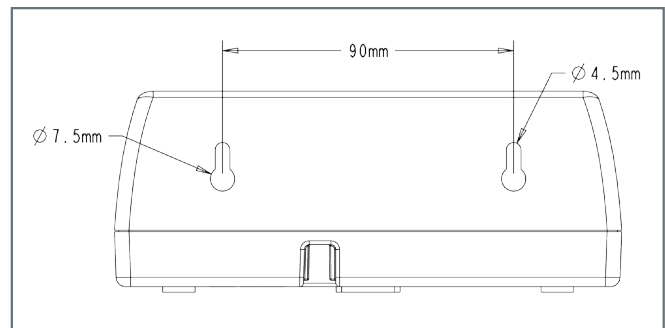
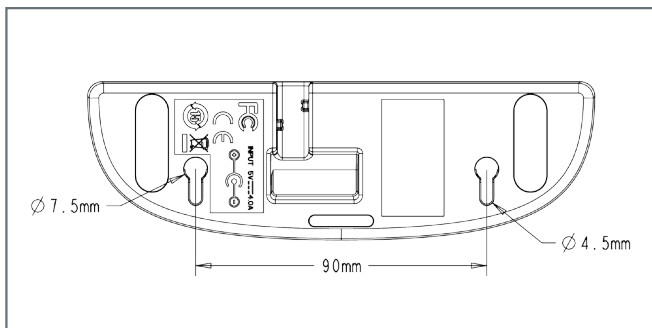
Electrical

DC Transformers	5V @ 4 amps
Operating Power	No Battery: 10 mA One Battery: 720 mA Two Batteries: 1446 mA Three Batteries: 2172 mA Four Batteries: 2892 mA Four Batteries, Charged Done: 30 mA
EMC	FCC Part 15, ICES-003, EN55022 Class B

Charging

Standard Charge Time	Typical time: 4.5 hours
-----------------------------	-------------------------

Status LEDs	Charge Condition	Charge Status Indicator (Green LED)
	Battery not detected	Off
	Battery inserted into base	Three flashes
	Pre-charge and charge	Slow flash, approximately 1 second on, 1 second off
	Charge completed	On continuously
	Charge suspend or fault condition	Fast flash, approximately 300ms on, 300ms off



For more information:
www.honeywellaidc.com

Honeywell Security & Data Collection

Honeywell Scanning & Mobility
 700 Visions Drive
 Skaneateles Falls, NY 13153
 800.582.4263
www.honeywell.com